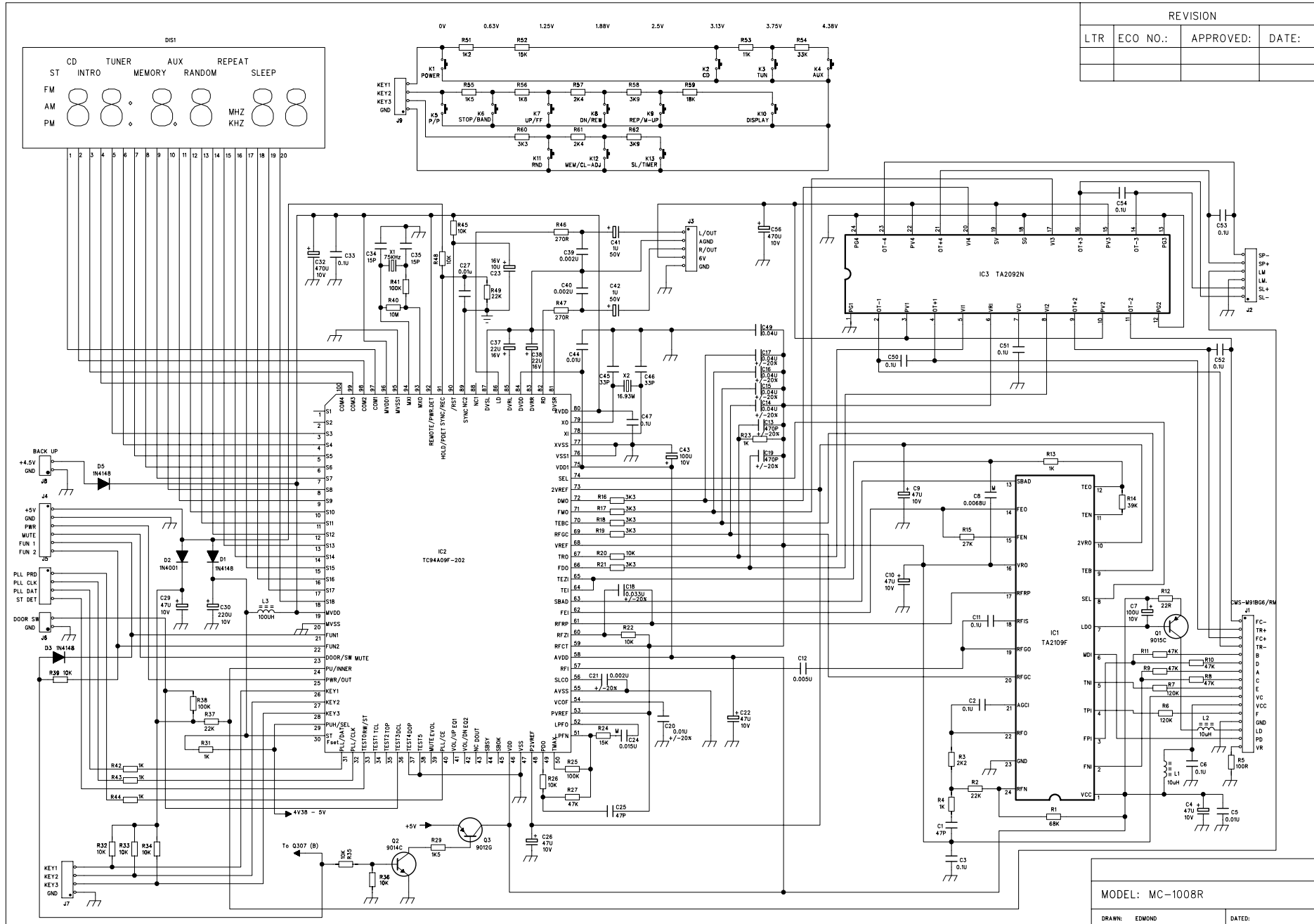


REVISION

LTR	ECO NO.:	APPROVED:	DATE:

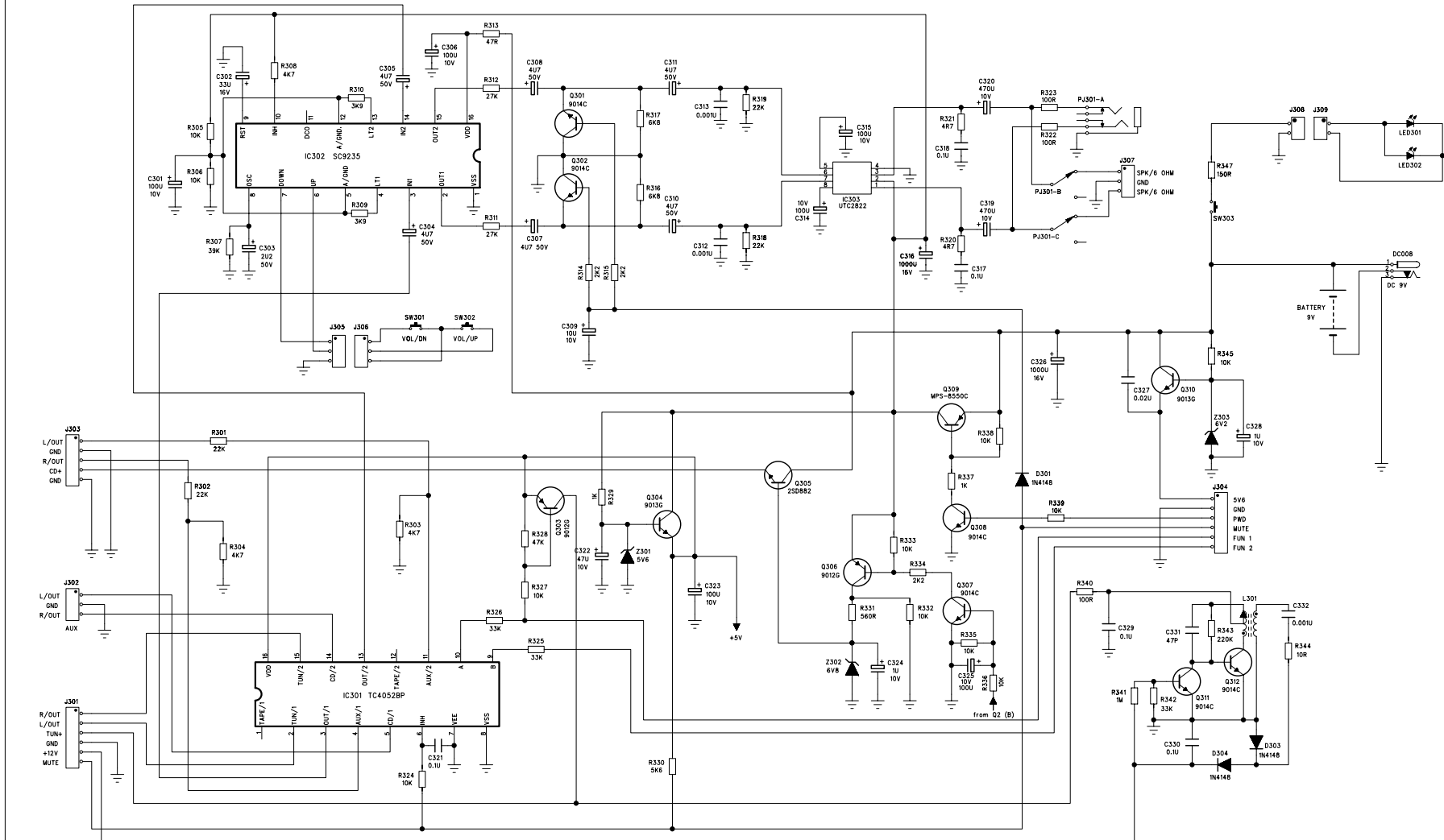


MODEL: MC-1008R

DRAWN: EDMOND

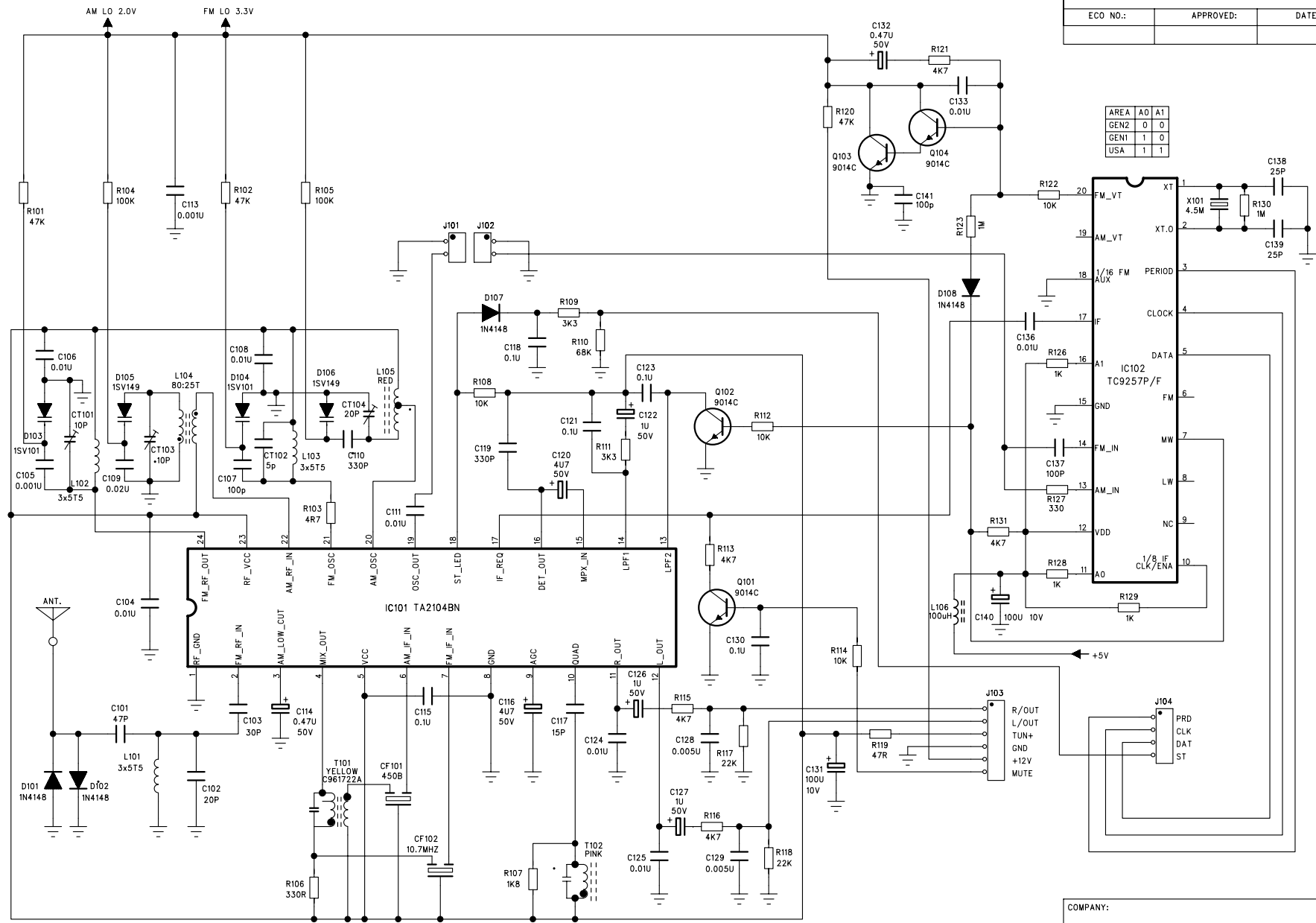
DATED:

REVISION			
LTR	ECO NO.:	APPROVED:	DATE:



MODEL: MC-1008R

DRAWN:	EDMOND	DATED:
--------	--------	--------



REVISION RECORD :

ECO NO.:	APPROVED:	DATE:

AREA	A0	A1
GEN2	0	0
GEN1	1	0
USA	1	1

COMPANY:

DRAWN BY:	DATE:	MODEL NO.:
EDMOND		MC-1008R